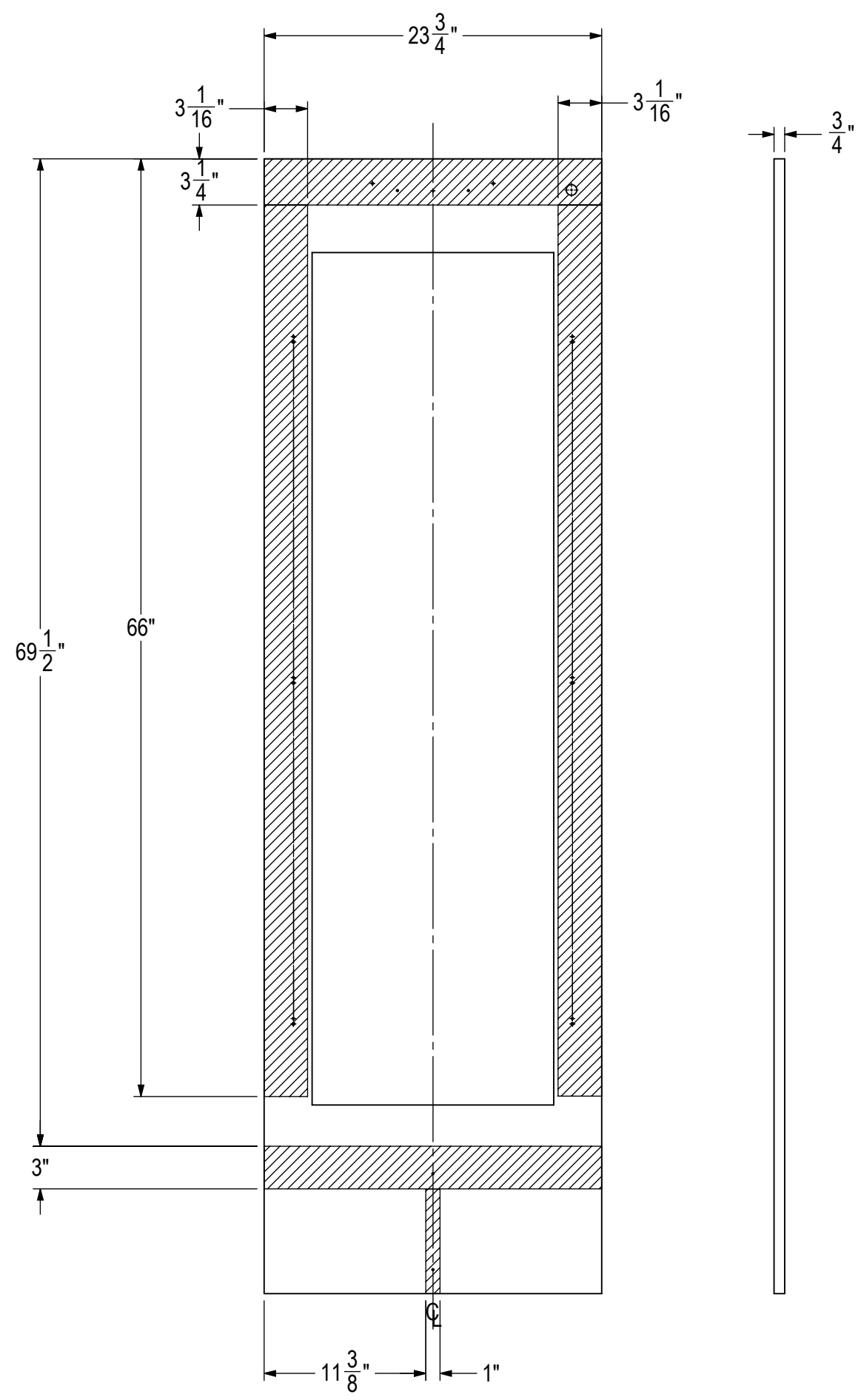


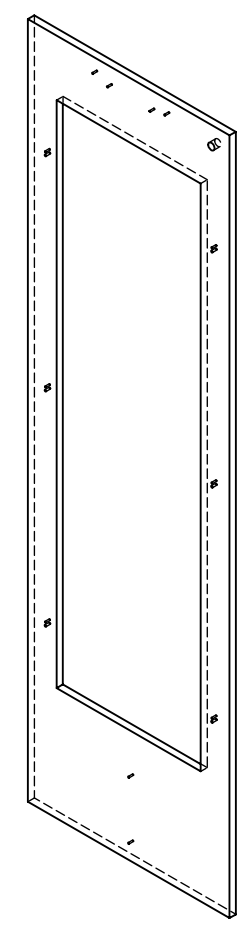
REV.	DESCRIPTION	DATE	APPROVED
F	REVISED MTG HOLE LOCATIONS AND COND. AIRFLOW DIVIDER MTG HOLES	11/8/2017	JMP
E	UPDATED CLIP MTG HOLE LOCATIONS	10/6/2017	JMP
D	REVISED WINDOW SIZE BY INCREASE CUTOUT WIDTH AND HEIGHT BY 1-1/4" OVERALL	10/5/2017	JMP
C	ADDED HOLES FOR CONDENSER AIR DIVIDER	10/3/2017	JMP
B	UPDATED HOLE PATTERN FOR ADJUSTMENT BRKT	8/25/2017	JMP
A	INITIAL RELEASE	11/8/2016	TEC

REVISIONS

MATERIAL: WOOD	SIGNATURES	DATE	Perlick Corporation Milwaukee, Wisconsin	
	DRAWN BY: JMP	11/28/2016		
QTY.: -	APPROVED BY: JMP	11/08/2017	TITLE: OVERLAY, WOOD, 4" TOE KICK FOR COLUMN WINE	
	UNLESS OTHERWISE SPECIFIED: DIMENSIONS ARE IN INCHES TOLERANCES:		REFERENCE:	
FINISH:	BREAK SHARP EDGES - .015 X 45° RADIUS SHARP FILLETS - .015 TO .031		PART NO. 1007917	DWG NO. 1007917
	HOLES: $\phi .1260$ THRU $\phi .125$: $\pm .004$ $\phi .2510$ THRU $\phi .500$: $\pm .005$ $\phi .5010$ THRU $\phi .750$: $\pm .008$ $\phi .7510$ THRU $\phi 1.000$: $\pm .010$ $\phi 1.001$ & UP: $\pm .012$		PURCHASE REC.:	SCALE = 1:10
SHEET 1 OF 4				



NOTE:
HATCH AREAS SHOULD PROVIDE ENOUGH THICKNESS FOR WOOD SCREW FOR OVERLAY ATTACHMENT BRACKETS.



REV.	DESCRIPTION	DATE	APPROVED
F	REVISED MTG HOLE LOCATIONS AND COND. AIRFLOW DIVIDER MTG HOLES	11/8/2017	JMP
E	UPDATED CLIP MTG HOLE LOCATIONS	10/6/2017	JMP
D	REVISED WINDOW SIZE BY INCREASE CUTOUT WIDTH AND HEIGHT BY 1-1/4" OVERALL	10/5/2017	JMP
C	ADDED HOLES FOR CONDENSER AIR DIVIDER	10/3/2017	JMP
B	UPDATED HOLE PATTERN FOR ADJUSTMENT BRKT	8/25/2017	JMP
A	INITIAL RELEASE	11/8/2016	TEC

REVISIONS			
REV.	DESCRIPTION	DATE	APPROVED
F	REVISED MTG HOLE LOCATIONS AND COND. AIRFLOW DIVIDER MTG HOLES	11/8/2017	JMP
E	UPDATED CLIP MTG HOLE LOCATIONS	10/6/2017	JMP
D	REVISED WINDOW SIZE BY INCREASE CUTOUT WIDTH AND HEIGHT BY 1-1/4" OVERALL	10/5/2017	JMP
C	ADDED HOLES FOR CONDENSER AIR DIVIDER	10/3/2017	JMP
B	UPDATED HOLE PATTERN FOR ADJUSTMENT BRKT	8/25/2017	JMP
A	INITIAL RELEASE	11/8/2016	TEC

MATERIAL: WOOD	SIGNATURES DRAWN BY: JMP APPROVED BY: JMP	DATE 11/28/2016 11/08/2017	Perlick Corporation Milwaukee, Wisconsin	
QTY.: _	UNLESS OTHERWISE SPECIFIED: DIMENSIONS ARE IN INCHES TOLERANCES:			
FINISH:	BREAK SHARP EDGES - .015 X 45° RADIUS SHARP FILLETS - .015 TO .031 HOLES: Ø .1260 THRU Ø .125: ±.004 Ø .1260 THRU Ø .250: ±.005 Ø .2510 THRU Ø .500: ±.006 Ø .5010 THRU Ø .750: ±.008 Ø .7510 THRU Ø 1.000: ±.010 Ø 1.001 & UP: ±.012		TITLE: OVERLAY, WOOD, 4" TOE KICK FOR COLUMN WINE	
			REFERENCE: PART NO. 1007917	DWG NO. 1007917
			PURCHASE REC.:	SCALE = 1:10 SHEET 3 OF 4